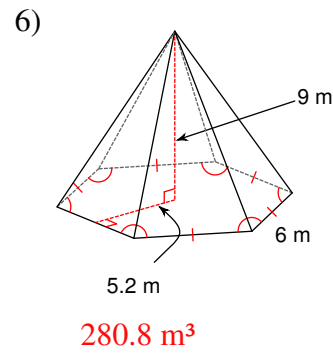
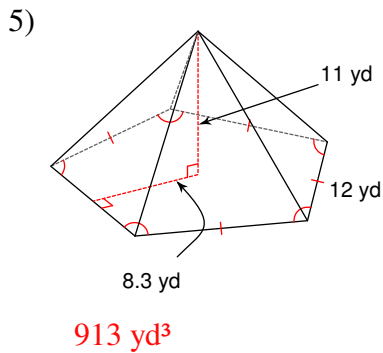
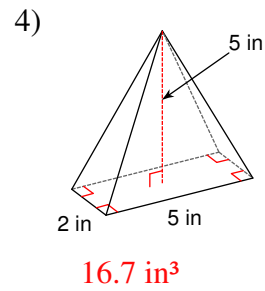
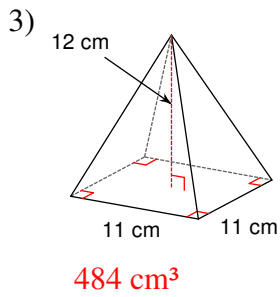
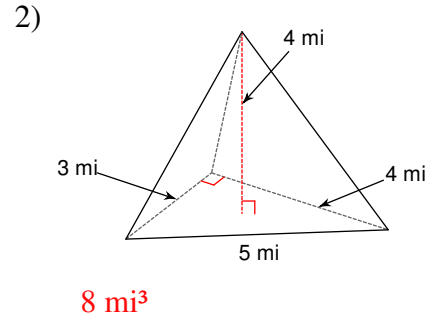
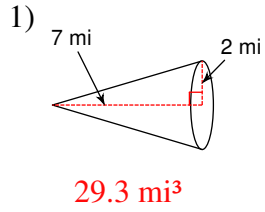
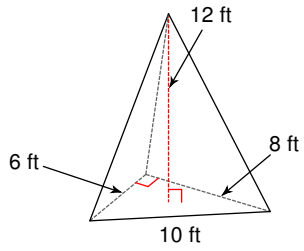


Volume of Pyramids and Cones

Find the volume of each figure. Round your answers to the nearest tenth, if necessary.

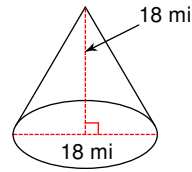


7)



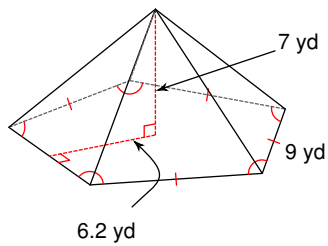
96 ft³

8)



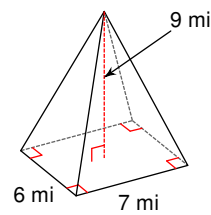
1526.8 mi³

9)



325.5 yd³

10)



126 mi³

11) A square pyramid measuring 10 yd along each edge of the base with a height of 6 yd.

200 yd³

12) A pyramid 5 m tall with a right triangle for a base with side lengths 6 m, 8 m, and 10 m.

40 m³

13) A cone with radius 4 m and a height of 12 m.

201.1 m³

14) A hexagonal pyramid 11 ft tall with a regular base measuring 6 ft on each side and an apothem of length 5.2 ft.

343.2 ft³